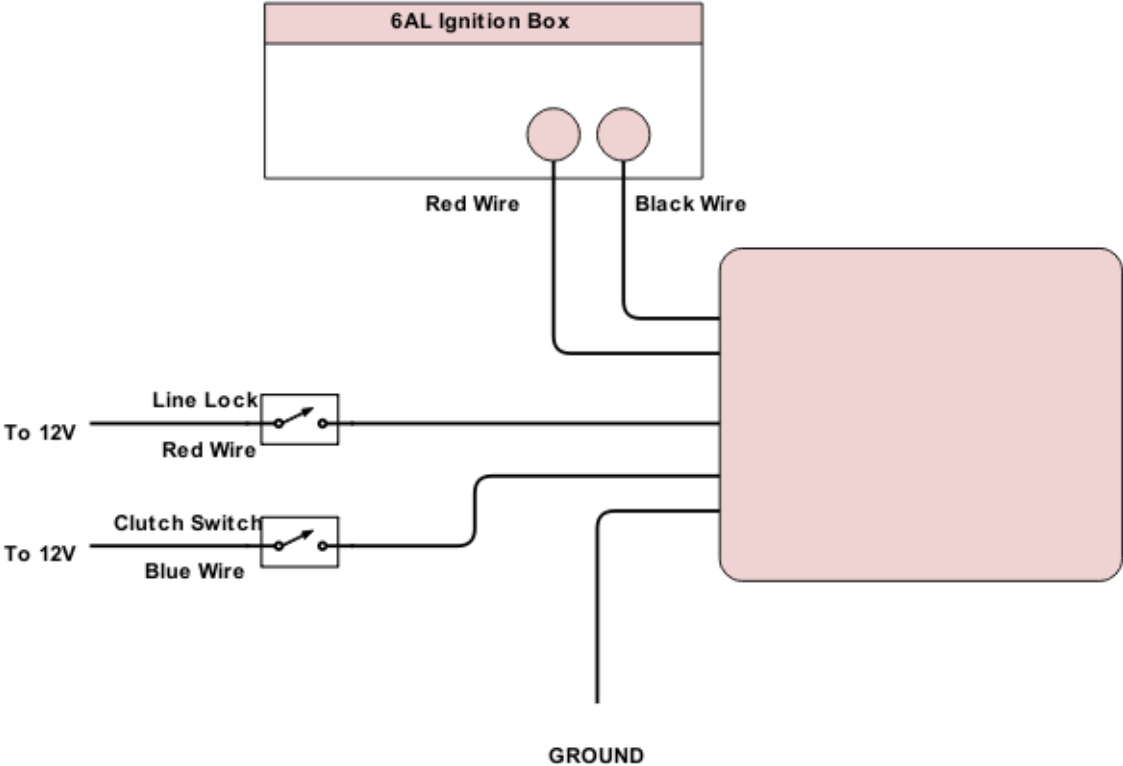


Wiring Diagram for PCE491.1001



- Module 2: Active w/o voltage
- Module 1: Active w/ 12 volts on red wire
- Module 3: Active w/ 12volts on blue wire