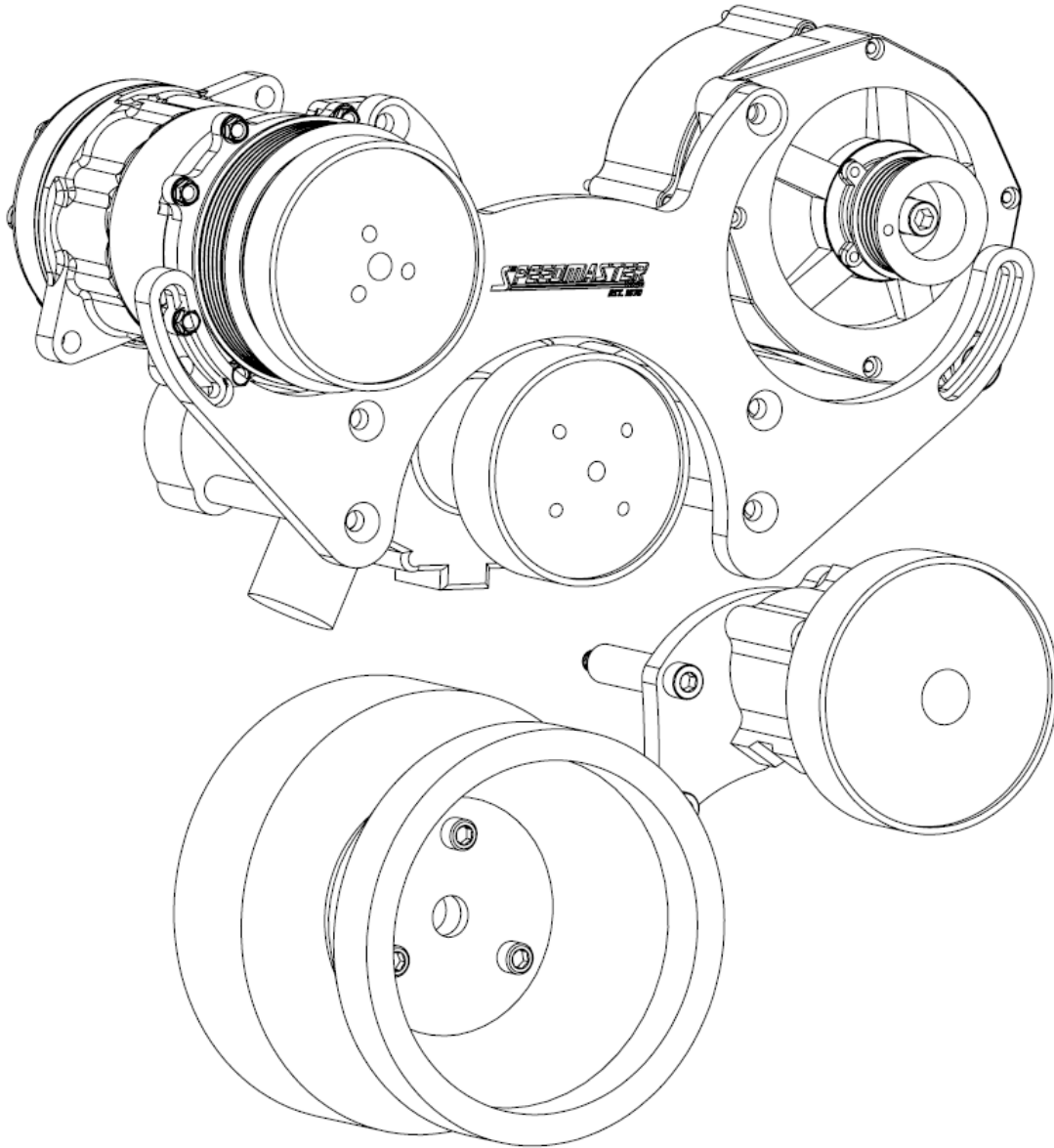


Welcome to the Speedmaster Team

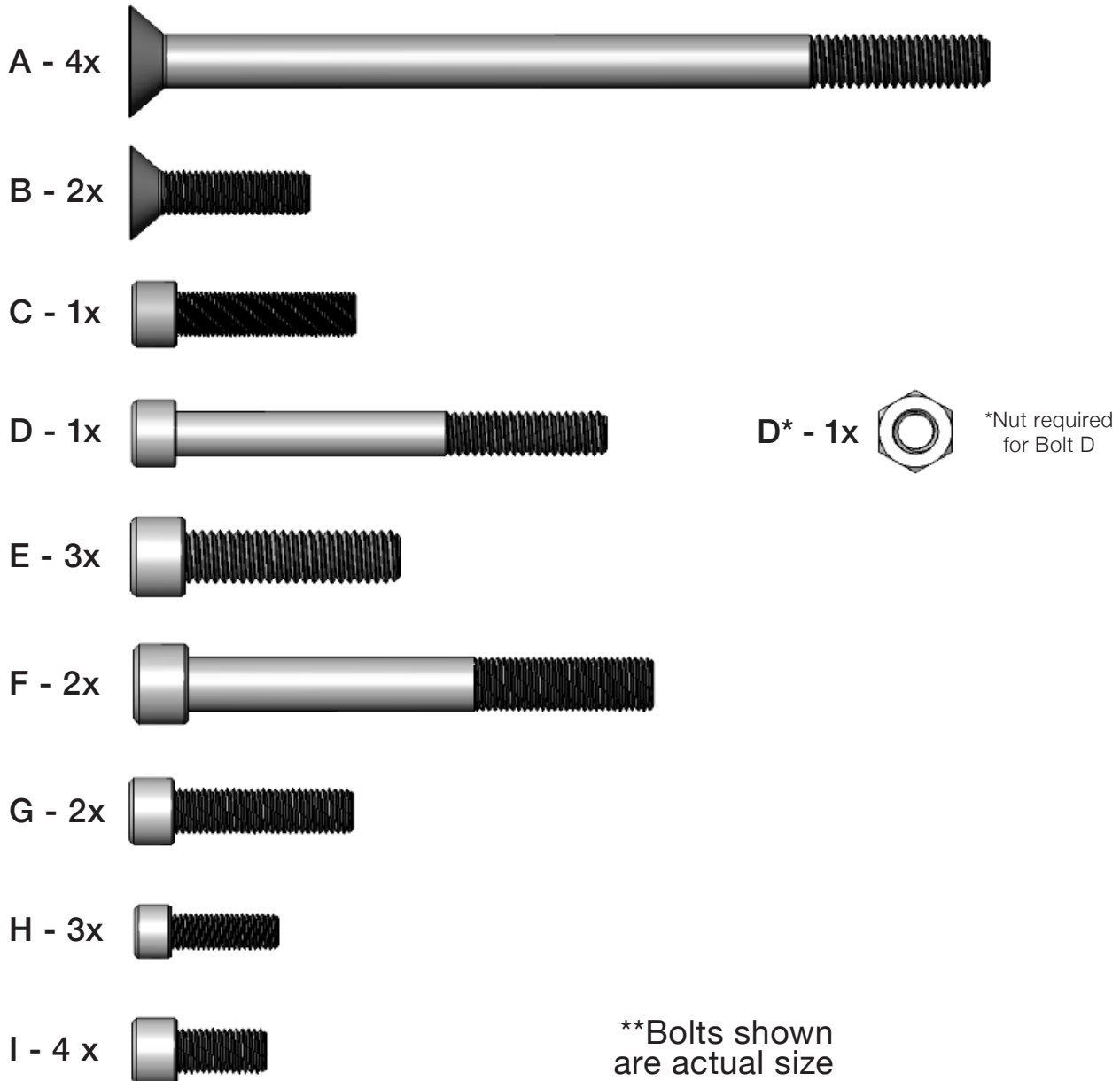


Aluminum Serpentine Complete Engine Pulley Kit for Small Block Chevrolet

This serpentine pulley kit has been specifically made to fit a Small Block Chevrolet. The design gives the unique option of adjusting the belt tension via the bracket. If your application is for an engine other than a Small Block Chevrolet, please refer to the Speedmaster catalog for other applications including; Big Block Chevrolet serpentine pulley kits. Please read the instructions completely before installing this kit.

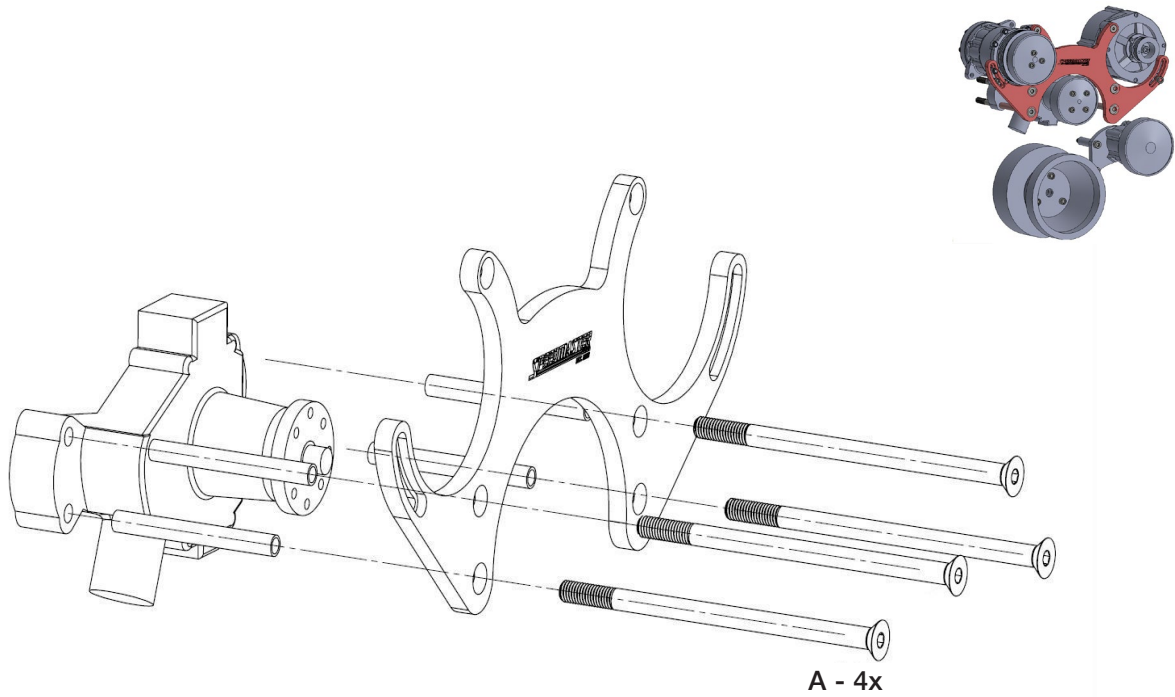
Warning! These instructions must be read and fully understood before beginning the installation. Failure to follow these instructions may result in poor performance, vehicle damage, personal injury, or death. If these instructions are not fully understood, installation should not be attempted.

Installation Instructions

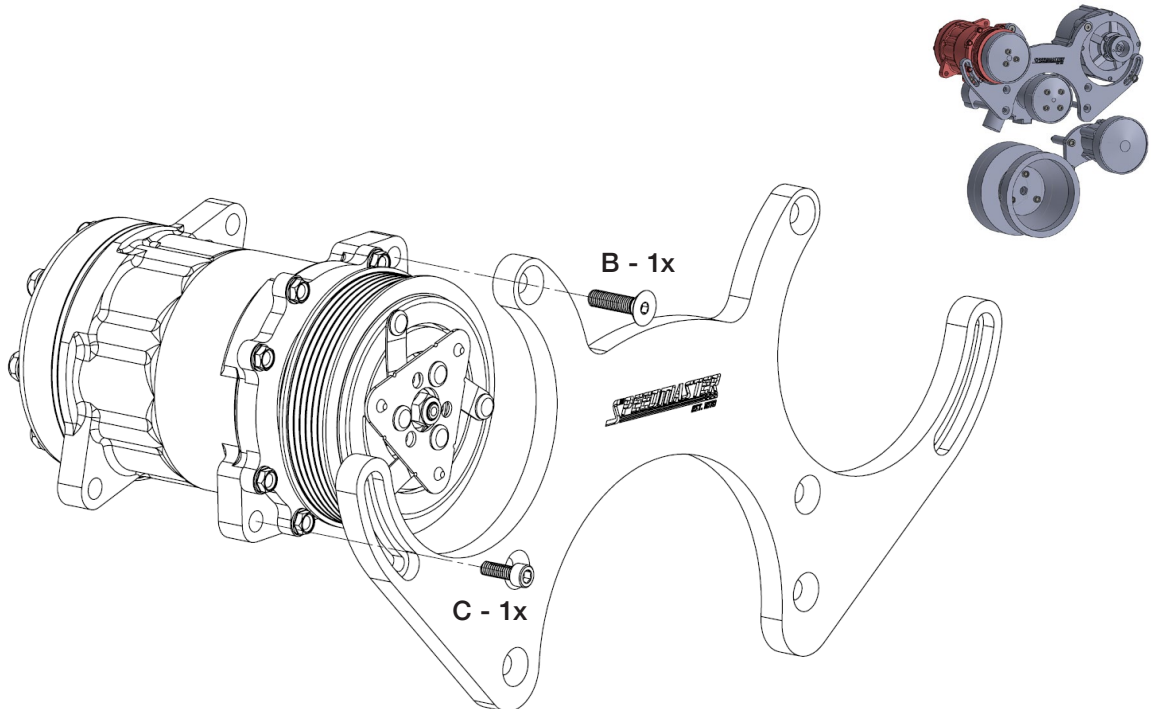


Note: When mounting any of the specified bolts to the engine, Speedmaster recommends that they be installed with some type of sealant such as Loctite #242. This is to overcome the high vibration ranges which the components are subjected to. Tightening torque's of 20 ft./lbs. or 5/16" bolts, 30 ft./lbs. For 3/8" bolts and 40 ft./lbs. for 7/16" bolts are recommended. Please refer to the exploded views in each step for the overall assembly of this serpentine pulley kit.

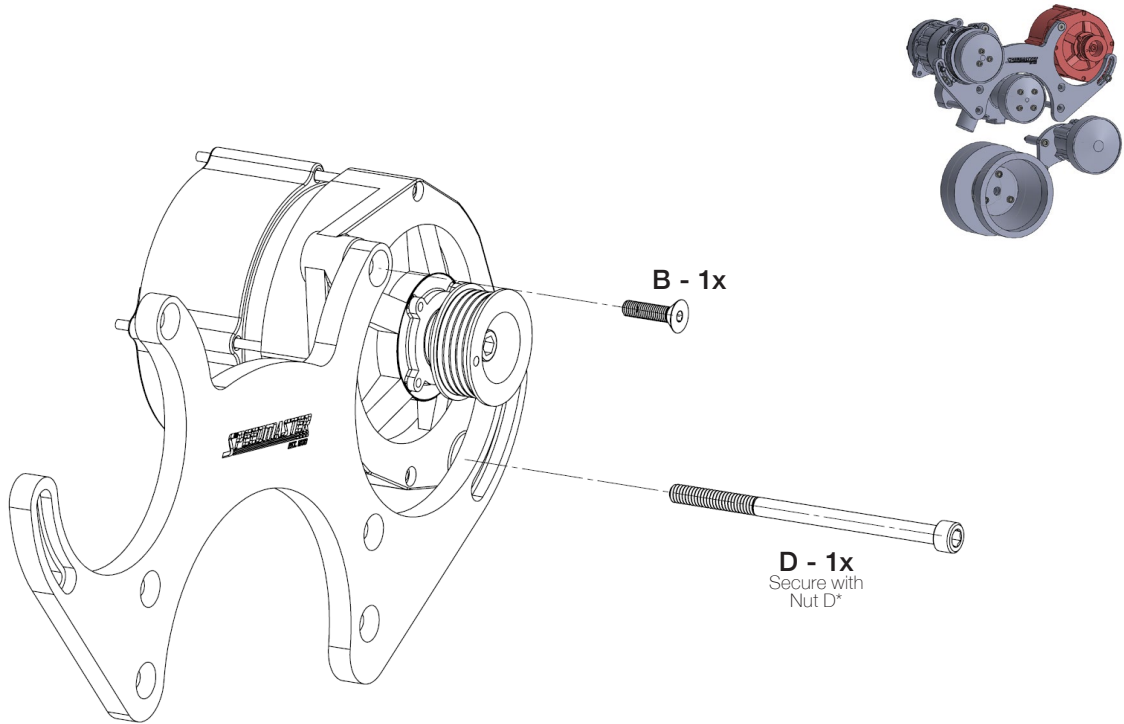
1



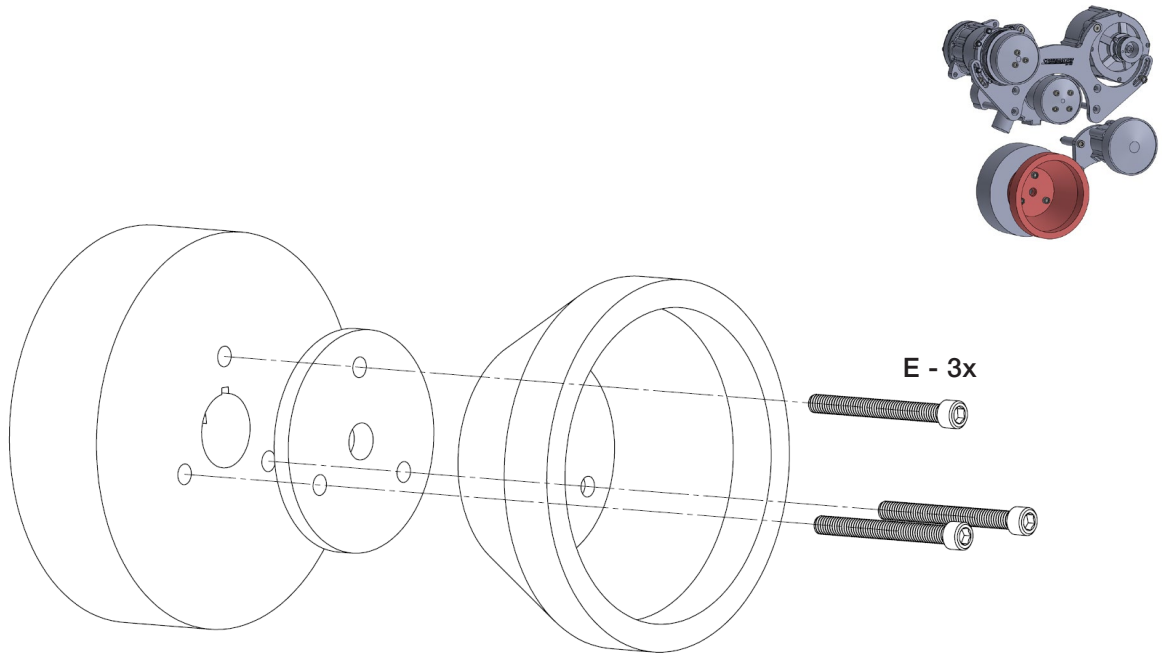
2



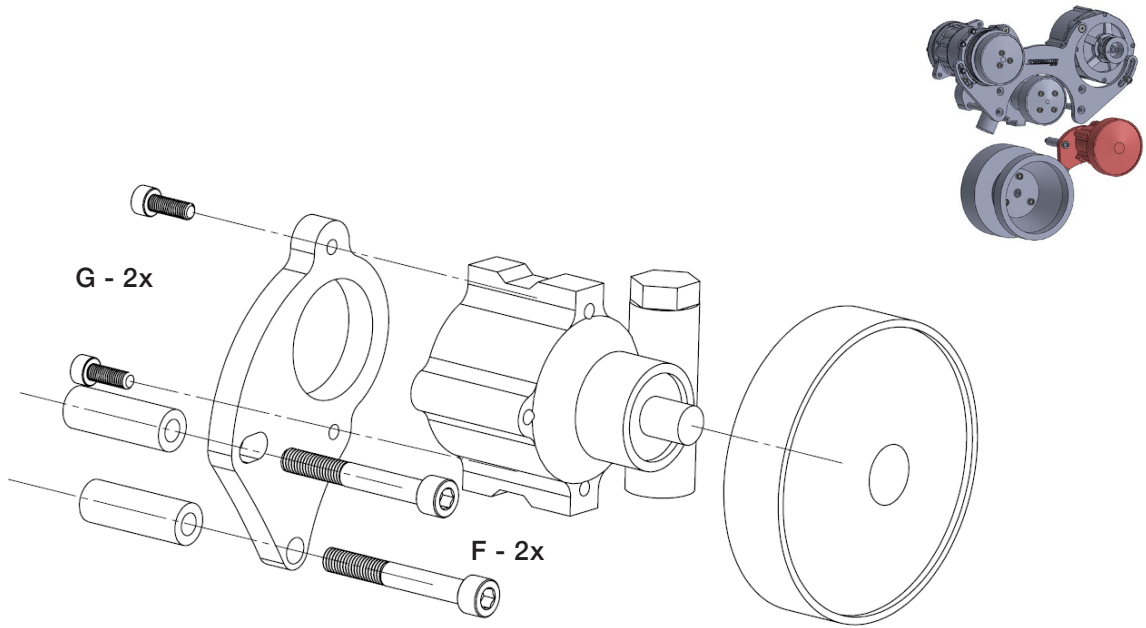
3



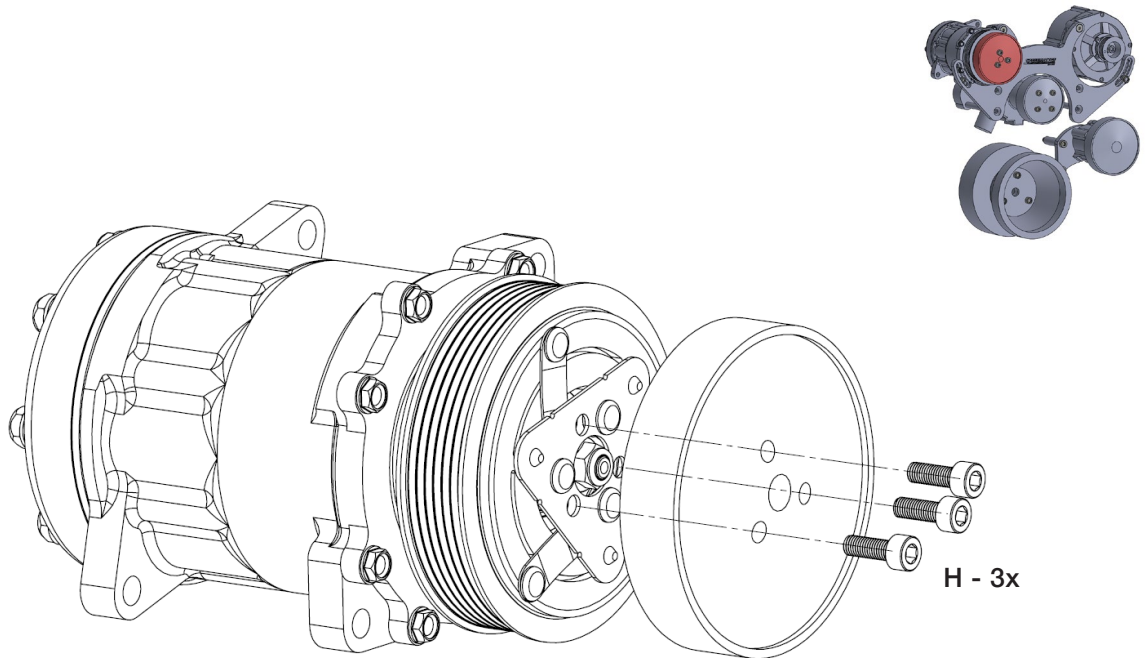
4



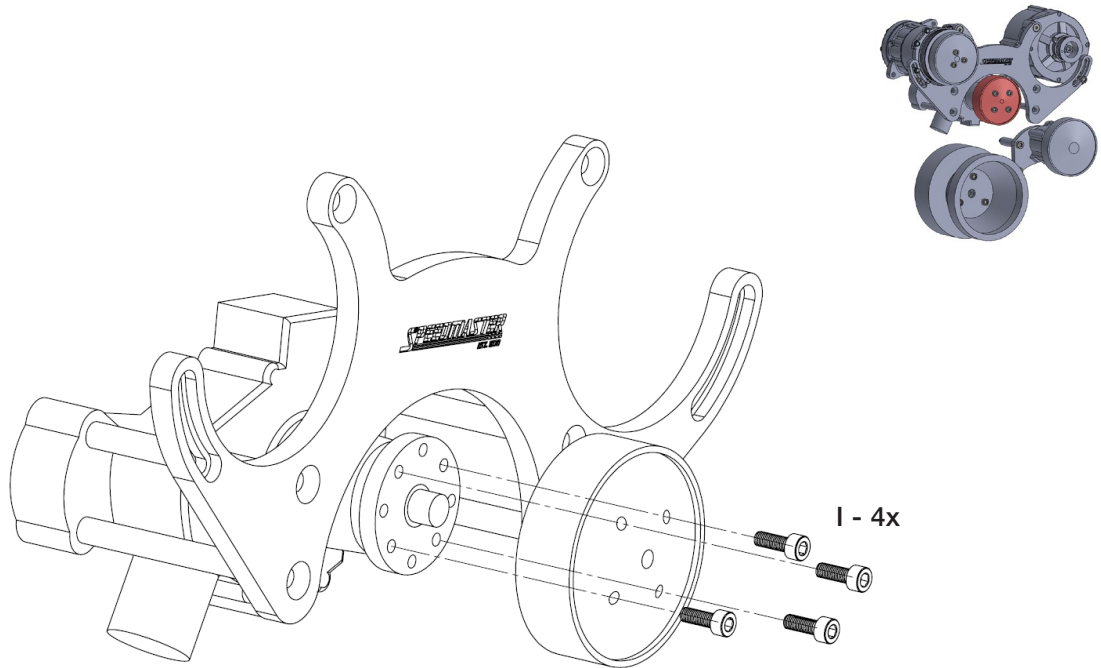
5



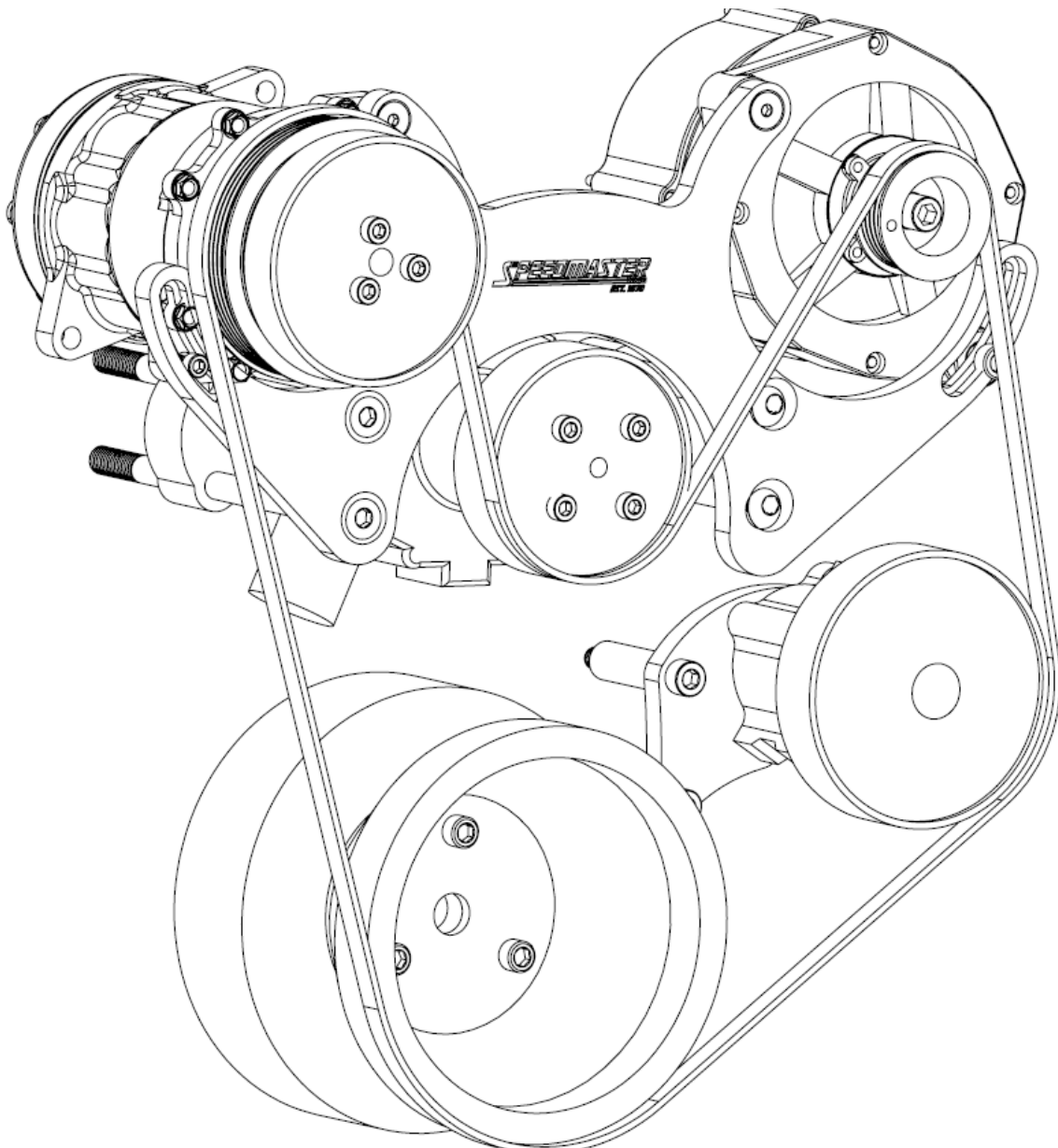
6



7



Your Installation of the Speedmaster Serpentine
Engine Pulley Kit is Complete



ENJOY...